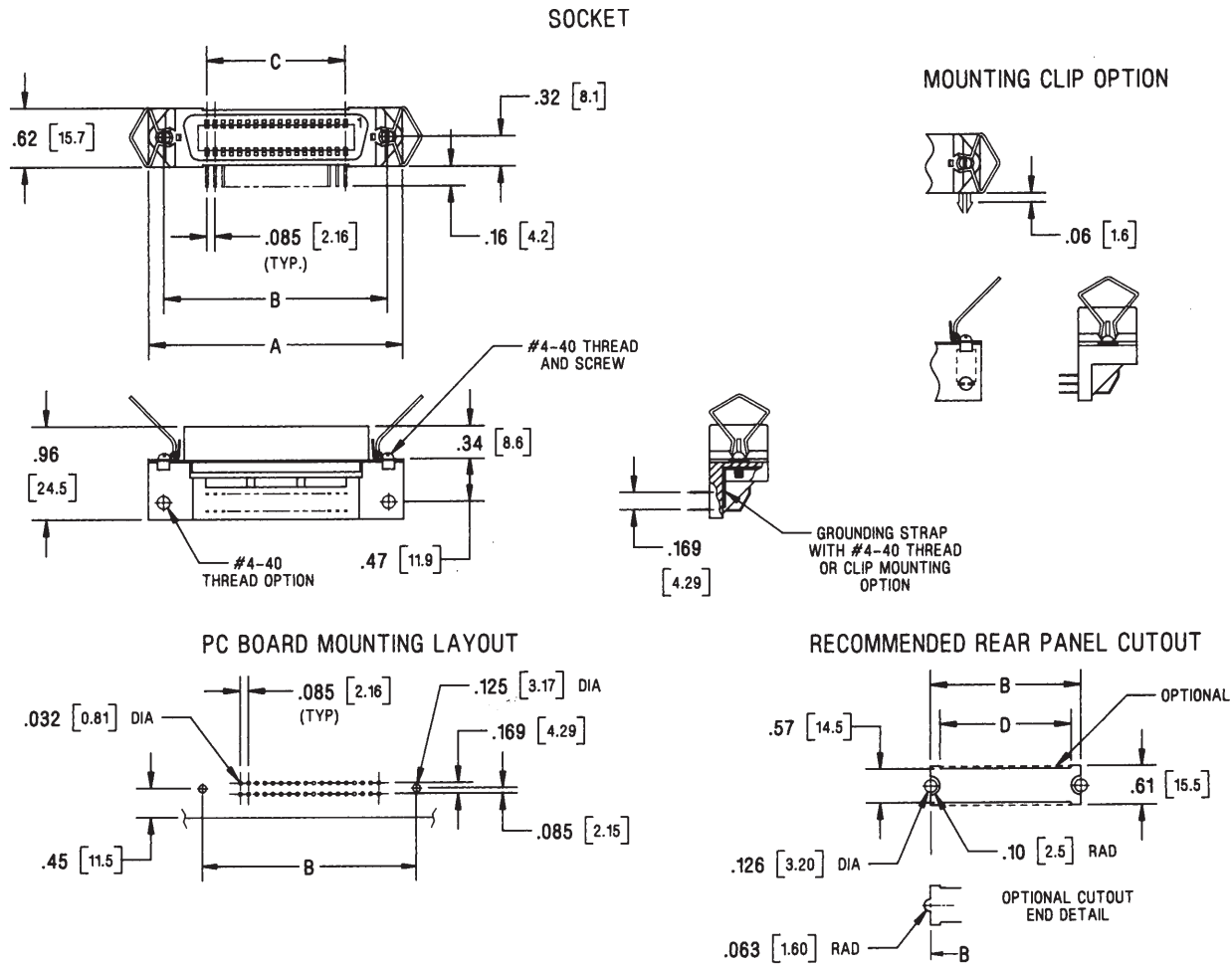


**I.O. Connectors  
Right Angle  
PCB Ribbon**



**Dimensions**

Number of Ckts.	A	B	C	D
36	2.685 (68.20)	2.352 (59.74)	1.446 (36.72)	2.047 (52.00)
50	3.280 (83.30)	2.947 (74.85)	2.041 (51.84)	2.602 (66.10)

**Ordering Information**

No. of Ckts.	Socket	
	Bail Latch* 4-40 THD	Bail Latch* MTG. Clip
	15µ" (.38µm) Gold Plating	
36	RRM36SF5	RRM36SE5
50	—	RRM50SE5

\*Connectors and bail latch are packaged separately