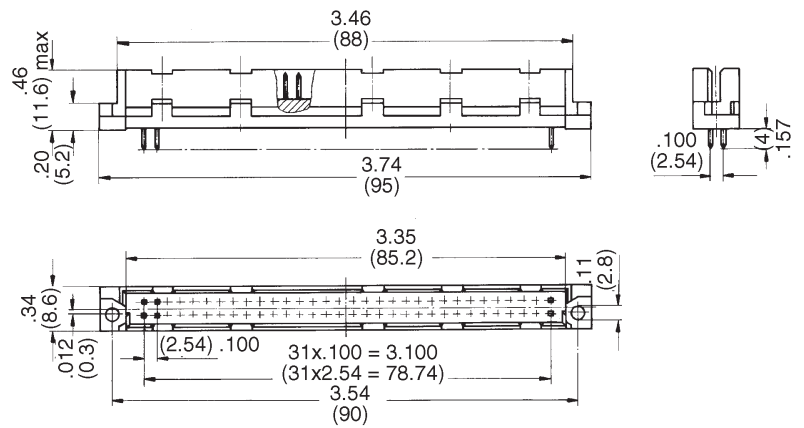


**Type Q —  
Series 130**

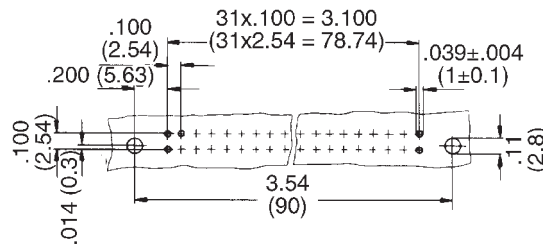
**64 Contact Inverse  
Two Row Male Connectors**



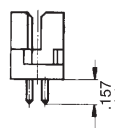
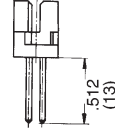
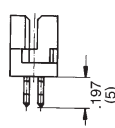
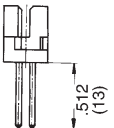
**Press-Fit Technical Specifications**

Compliant Pin	
P.C.B. Thickness	.06 - .13 (1.6 - 3.2 mm)
Finished Hole Size	.032 - .043 (0.94 - 1.09 mm)
Drill Size	.045 ± .0004 (1.15 <sup>+0.01</sup> mm)
Copper	100 - 300μ" (25-76 μm)
Tin-Lead	30μ" (6 μm min)

**Printed Circuit Layout**

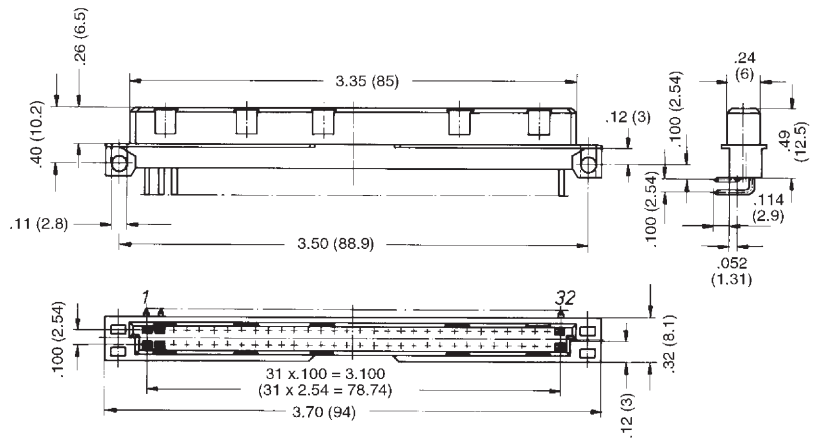


**Part Numbers**

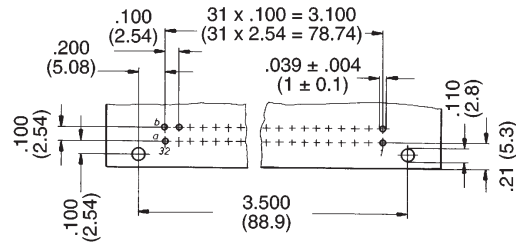
No. of Contacts	Contact Arrangement	Performance Level	Termination Methods				Press-Fit Insertion Die
			Soldering		Press-Fit		
							
64	Fully Equipped (Row a + b)	2	130-064-133	—	130-064-332	—	200-022-017
		3	130-064-153	—	130-064-352	—	

**Type Q —  
Series 130**

**64 Contact Inverse Female  
Two Row Connectors**



**Printed Circuit Layout**



**Part Numbers**

No. of Contacts	Contact Arrangement	Performance Level	Termination Method
64	Fully Equipped (Row a + b)	2	130-064-533
		3	130-064-553*

\* Contact Factory for Availability