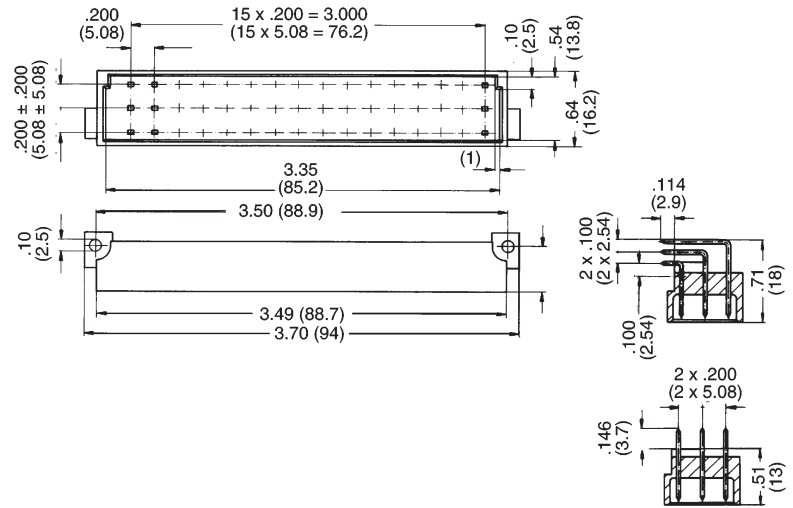
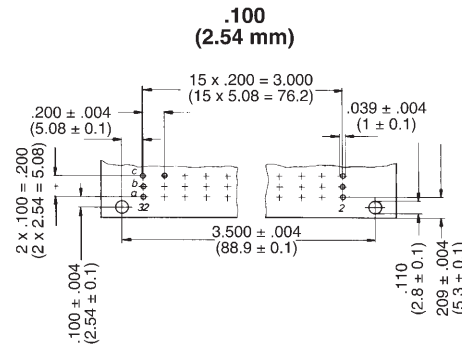


**Type E —
Series 100**

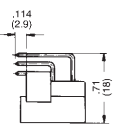
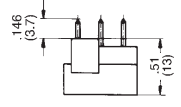
**48 Contact Male
Connectors**



Printed Circuit Layout - Right Angle Version

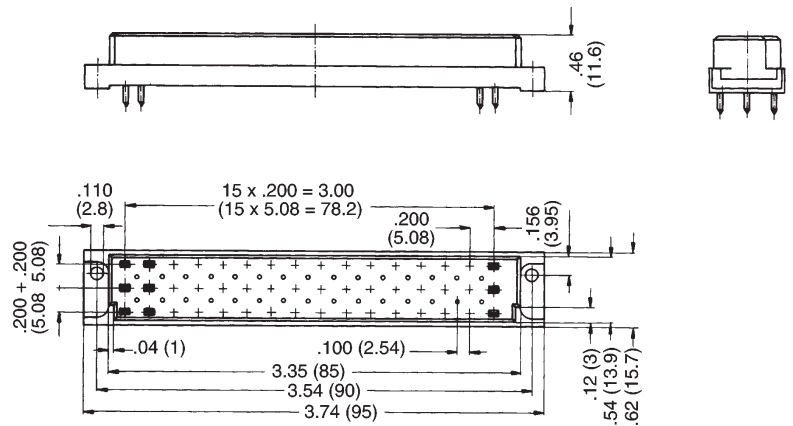


Part Numbers

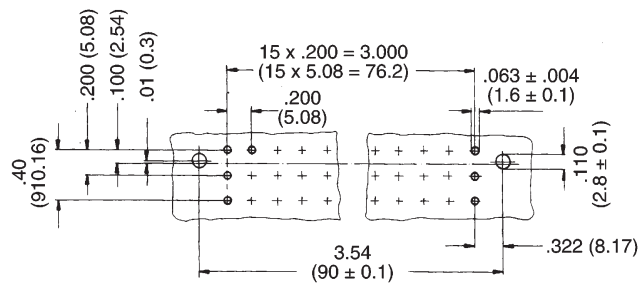
No. of Contacts	Contact Arrangement	Performance Level	Termination Method	
				
48	Fully Equipped	2	100-048-033	100-048-133
		3	100-048-053	100-048-153

**Type E —
Series 100**

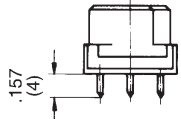
**48 Contact Female
Connectors**



Printed Circuit Layout



Part Numbers

No. of Contacts	Contact Arrangement	Performance Level	Termination Method
			
48	Fully Equipped	2	100-048-438
		3	100-048-458