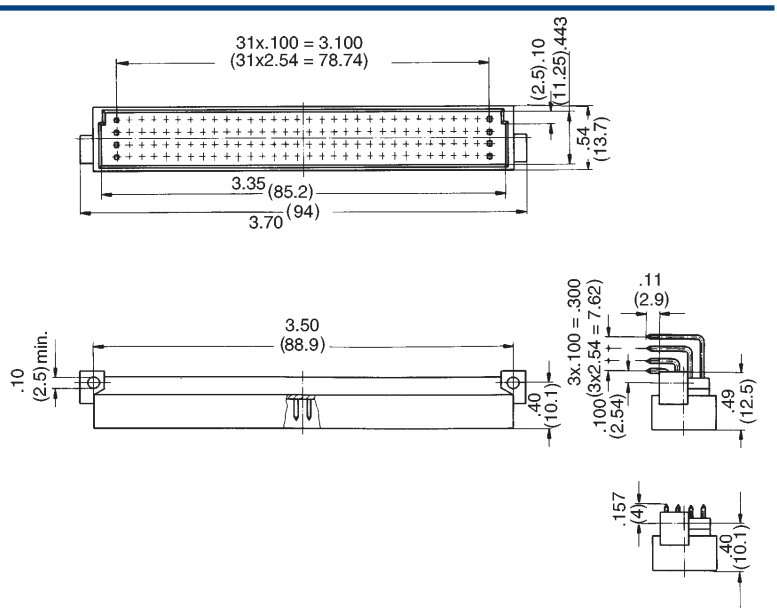
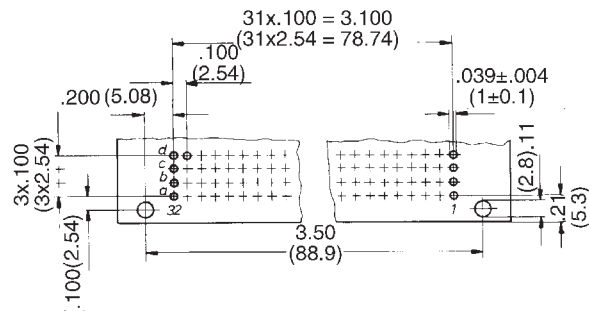


**Type C + 1
Series 106**

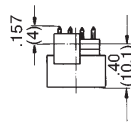
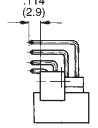
**128 Contact Male
Four Row Connectors**



Printed Circuit Layout



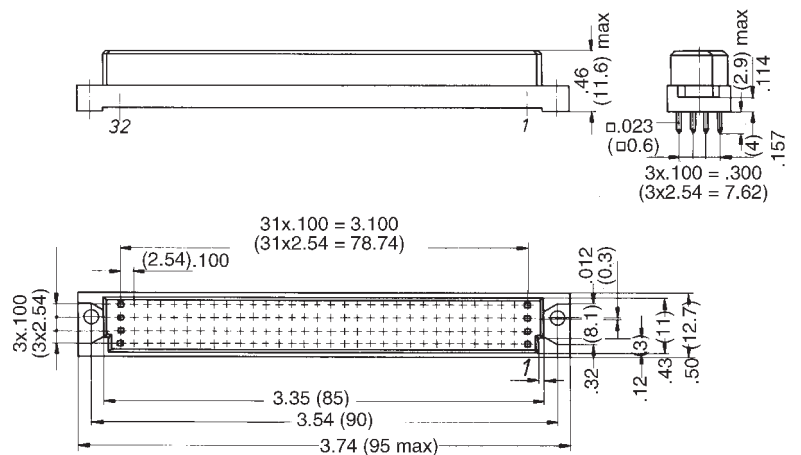
Part Numbers

No. of Contacts	Contact Arrangement	Performance Level	Termination Methods	
				
128	Fully Equipped	2	106-128-133	106-128-033
		3	106-128-153	106-128-053*

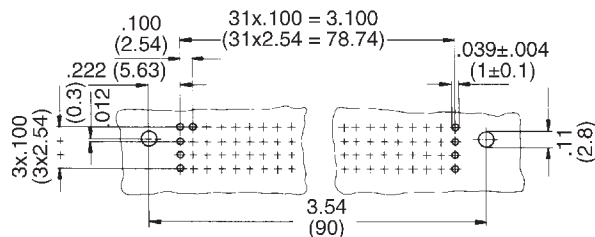
* Contact Factory for Availability

**Type C + 1
Series 106**

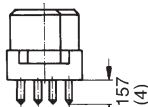
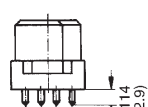
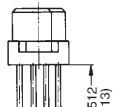
**128 Contact Female
Four Row Connectors**



Printed Circuit Layout



Part Numbers

No. of Contacts	Contact Arrangement	Performance Level	Termination Methods		
					
128	Fully Equipped	2	106-128-432	106-128-433	106-128-431*
		3	106-128-452*	106-128-453	106-128-451

* Contact Factory for Availability